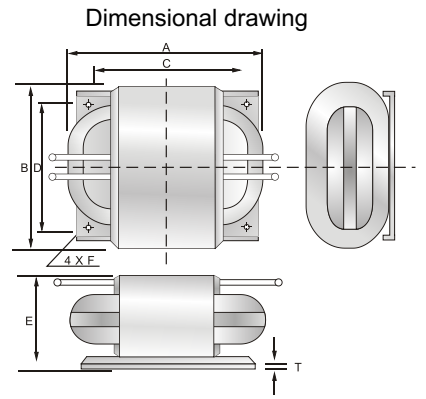
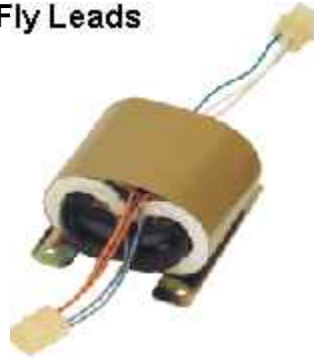




RC-SERIES-R-Core Transformers-Fly Leads
100VA to 1200VA
ISOLATION TRANSFORMER



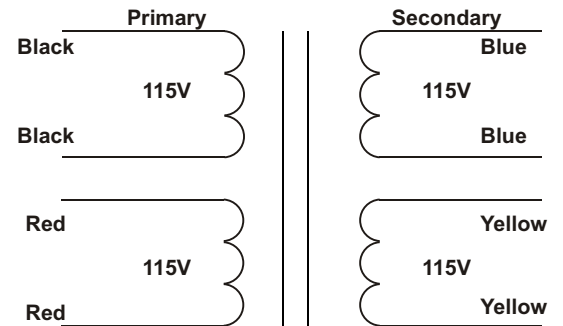
Specifications:

Dual Primary: 115 / 230V @ 50 / 60Hz
 Dual Secondary: 115 / 230V
 Power: 100VA to 1200VA
 Dielectric Strength: 4000Vrms

Agency Standards

Class B Insulation(130 Degree C)
 Built to meet CAN / CSA 22.2 No.66-1988
 Built to meet UL506

Standard samples will be despatched within 24 hours of receiving order.
 Kindly indicate the part number while inquiring.



Technical Data:

Part Number	VA (Size)	Secondary		Mechanical Dimensions (mm)						T	Weight (KG)
		Series Connected	Parallel Connected	A	B	C	D	E	F dia		
S-RC923-0100	100	230V CT @ 0.435A 230V CT	115V @ 0.870A 115V	123	90	90	70	50	5.0	1.2	1.40
S-RC924-0130	130	230V CT @ 0.565A 230V CT	115V @ 1.13A 115V	124	102	100	80	55	5.0	1.2	1.80
S-RC925-0200	200	230V CT @ 0.87A 230V CT	115V @ 1.74A 115V	139	110	100	85	63	5.0	1.6	2.60
S-RC926-0260	260	230V CT @ 1.13A 230V CT	115V @ 2.26A 115V	160	121	128	96	68	5.0	1.6	3.10
S-RC927-0300	300	230V CT @ 1.30A 230V CT	115V @ 2.60A 115V	163	128	135	95	70	5.0	1.6	3.80
S-RC928-0600	600	230V CT @ 2.61A 230V CT	115V @ 5.22A 115V	189	143	142	100	80	8.0	1.0	6.50
S-RC929-1200	1200	230V CT @ 5.21A 230V CT	115V @ 10.42A 115V	225	172	180	140	99	8.0	2.3	11

Custom made transformers are available on request.



SHILCHAR
 TECHNOLOGIES LIMITED

